

Technical data sheet



Product features

Cooking range gas 6x burner ECO on open cabinet

| | | |
|--------------|-----------------|----------|
| Model | SAP Code | 00110105 |
|--------------|-----------------|----------|



- Device type: Gas unit
- Power consumption of the zone 1 [kW]: 2 burners 3.5 kW
- Power consumption of the zone 2 [kW]: 4x burner 6 kW
- Power consumption of the zone 3 [kW]: 6
- Power consumption of the zone 4 [kW]: 6
- Power consumption of the zone 5 [kW]: 3,5
- Power consumption of the zone 6 [kW]: 3,5
- Protection of controls: IPX4
- Material: AISI 304 top plate, AISI 430 cladding

| | | | |
|------------------------|--------------------------------|---|------------------|
| SAP Code | 00110105 | Number of zones | 6 |
| Net Width [mm] | 1200 | Power consumption of the zone 1 [kW] | 2 burners 3.5 kW |
| Net Depth [mm] | 700 | Power consumption of the zone 2 [kW] | 4x burner 6 kW |
| Net Height [mm] | 900 | Power consumption of the zone 3 [kW] | 6 |
| Net Weight [kg] | 69.00 | Power consumption of the zone 4 [kW] | 6 |
| Power gas [kW] | 31.000 | Power consumption of the zone 5 [kW] | 3,5 |
| Type of gas | Natural gas, propane butane | Power consumption of the zone 6 [kW] | 3,5 |

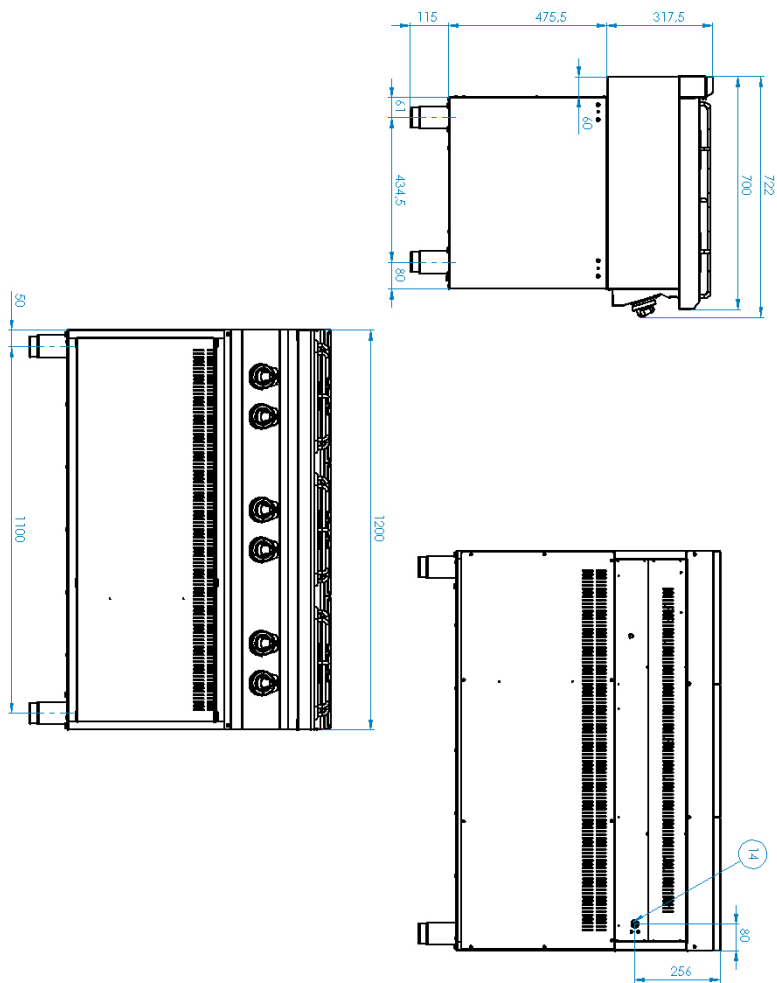
Technical data sheet



Technical drawing

Cooking range gas 6x burner ECO on open cabinet

| Model | SAP Code | 00110105 |
|-------|----------|----------|
|-------|----------|----------|



Technical data sheet



Product benefits

Cooking range gas 6x burner ECO on open cabinet

Model

SAP Code

00110105

1

Massive construction of burners

high performance and efficiency
cast iron burners removable
long life

- energy saving (perfect combustion)
- time saving for food preparation
- easy maintenance/cleaning

2

Hygienic moldings of the top plate

absence of sharp corners and edges (potential places where dirt could stick)
smooth transitions

- easy quick cleaning

3

Degree of protection of the control elements IPX4

maintenance-free system
resistance to splash water
long life

- savings on service interventions
- easy cleaning and maintenance of equipment

4

All-stainless design

long life
resistance of a ground steel plate with a thickness of 10 mm

- savings on service interventions
- higher corrosion resistance

5

Safety element - thermocouple

safe operation for personnel
there is no overheating and damage to the thallus
long life

- savings on service interventions
- easier and faster operation

6

Variability

the possibility of adding to the current line
easy possibility of creating one module
long life

- cost saving
- space saving
- long service life

Technical data sheet



Technical parameters

Cooking range gas 6x burner ECO on open cabinet

Model

SAP Code

00110105

1. SAP Code:

00110105

2. Net Width [mm]:

1200

3. Net Depth [mm]:

700

4. Net Height [mm]:

900

5. Net Weight [kg]:

69.00

6. Gross Width [mm]:

1240

7. Gross depth [mm]:

800

8. Gross Height [mm]:

975

9. Gross Weight [kg]:

86.00

10. Device type:

Gas unit

11. Construction type of device:

With substructure

12. Power gas [kW]:

31.000

13. Type of gas:

Natural gas, propane butane

14. Protection of controls:

IPX4

15. Material:

AISI 304 top plate, AISI 430 cladding

16. Worktop type:

Molded - comfortable cleaning maintenance

17. Worktop material:

AISI 304

18. Worktop Thickness [mm]:

1.20

19. Number of zones:

6

20. Power consumption of the zone 1 [kW]:

2 burners 3.5 kW

21. Power consumption of the zone 2 [kW]:

4x burner 6 kW

22. Power consumption of the zone 3 [kW]:

6

23. Power consumption of the zone 4 [kW]:

6

24. Power consumption of the zone 5 [kW]:

3,5

25. Power consumption of the zone 6 [kW]:

3,5

26. Grid material:

Cast iron

27. Service accessibility:

Trough the frontal panel

28. Safety thermocouple:

Yes

Technical data sheet



Technical parameters

Cooking range gas 6x burner ECO on open cabinet

| | | |
|--------------|-----------------|----------|
| Model | SAP Code | 00110105 |
|--------------|-----------------|----------|

29. Adjustable feet:

Yes

31. Type of gas cooking zones:

Cast iron burners

30. Number of burners/hot plates:

6

32. Burner type:

Cast iron, detachable, with internal and external combustion